

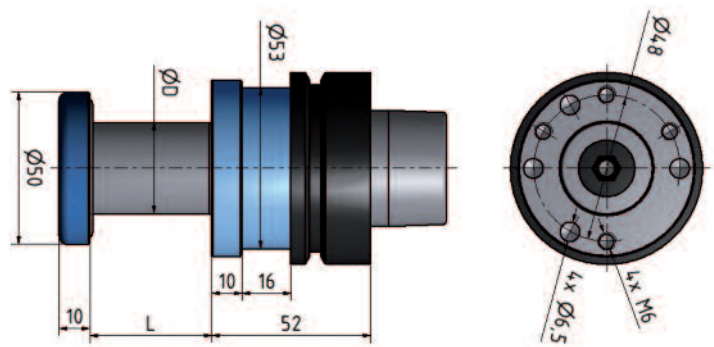
Benefits and features

- Quick and precise tool assembly.
- High performance and balance.
- Redesigned safety ring in light metal.
- Multiple tool attachment.
- Adapted for three wing tools.

ETP HYDRO-GRIP® GE2

High performance units with perfect balance and runout for the tools. It can even be used in vertical mills, with or without tool changers.

The GE2 arbor allows quick and precise tool assembly and a high degree of flexibility. The arbor is adapted for easy attachment of three wing tools.



Technical specification ETP HYDRO-GRIP® GE2

Type	D	L	M	P	N1	N2
GE2-20x40/HSK 63F	20	40	53	32	6	8
GE2-25x55/HSK 63F	25	55	53	40	6	8
GE2-30x40/HSK 63F	30	40	58	48	6	8
GE2-30x55/HSK 63F	30	55	58	48	6	8
GE2-30x80/HSK 63F	30	80	58	48	6	8
GE2-30x100/HSK 63F	30	100	58	48	6	8
GE2-1"x40/HSK 63F	1"	40	53	40	6	8
GE2-1"x55/HSK 63F	1"	55	53	40	6	8
GE2-1"x80/HSK 63F	1"	80	53	40	6	8
GE2-1 1/4"x40/HSK 63F	1 1/4"	40	58	48	6	8
GE2-1 1/4"x55/HSK 63F	1 1/4"	55	58	48	6	8

