

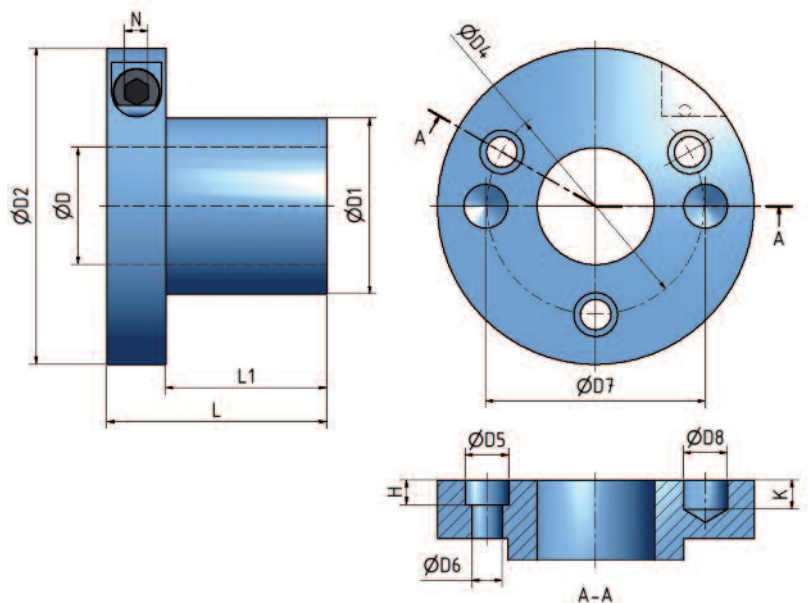


### Benefits and features

- Fit your tools quick and easy
- Perfect centering and fastening with only an allen T-wrench
- Easy to operate
- Probably the most durable pressurizing mechanism on the market

## ETP HYDRO-GRIP® CI

Sleeve for **interchangeable tool assembly** that can be used with different tools. The tool should be bolted to the sleeve's collar. Several tools can be mounted simultaneously. Pressurizing is carried out with an allen T-wrench.



### Technical specification ETP HYDRO-GRIP® CI

Type	D	D1	D2	D4	D5	D6	D7	D8	H	K	L	L1	N
CI-40/50-75	40	50	100	64	14	9	65	15	8,5	10	75	55	8
CI-40/60-75	40	60	102	74	14	9	75	15	8,5	10	75	55	8
CI-40/60-95	40	60	108	74	14	9	75	15	8,5	10	95	75	8
CI-40/60-115	40	60	108	74	14	9	75	15	8,5	10	115	95	8
CI-40/60-140**	40	60	114	74	14	9	75	15	8,5	10	140	115	10
CI-50/60-75*	50	60	102	74	14	9	75	15	8,5	10	75	55	8
CI-50/60-95*	50	60	108	74	14	9	75	15	8,5	10	95	75	8
CI-50/60-115*	50	60	108	74	14	9	75	15	8,5	10	115	95	8
CI-50/60-140**	50	60	114	74	14	9	75	15	8,5	10	140	115	10

\*) The CI Ø50 has two, threaded M8-holes for carrier pegs on a 70mm pitch diameter.

\*\*) The sleeve has two, threaded M8-holes for carrier pegs on a 68 mm pitch diameter.  
See page 44 for more information.