



**New  
extended  
range**



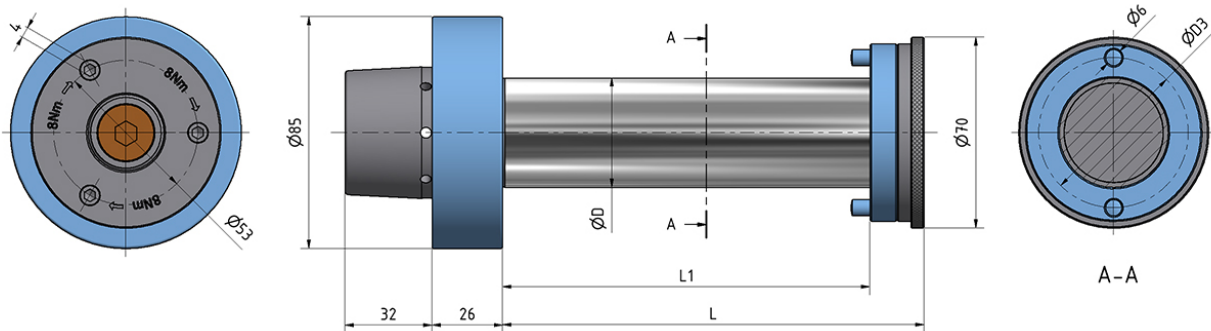
## ETP HYDRO-GRIP® GEW2 PowerLock

HYDRO-GRIP GEW2 is our hydraulic precision arbor for the **PowerLock system**. This combination will give you all the benefits from both the hydraulic centering function and the PowerLock system. The GEW2 arbor expands uniformly and is the ultimate centering and fastening solution for your tools.

The pressurizing is carried out by using an allen T-wrench and the mechanism is well protected from dust behind a sealed plug. Furthermore the arbor has a thread and a locking nut that makes the tool assembly extremely quick and easy.

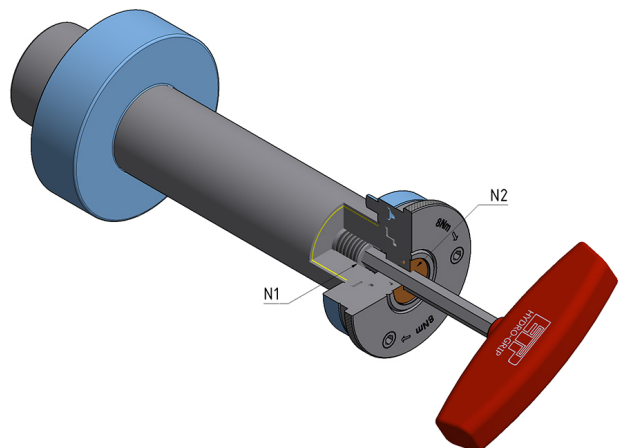
### Benefits and features

- Multiple tool assembly
- Easy to pressurize with an allen T-wrench
- Sealed dust plug
- Ultimate centering and fastening



### Technical specification ETP HYDRO-GRIP® GEW2

Part.no	Item description	Dimensions, mm					
		D	D3	L1	L	N1	N2
● 665960-55	GEW2 30x55	30	55	55	75	5	5
● 665960-100	GEW2 30x100	30	55	100	120	5	5
● 655390	GEW2 40x55	40	55	55	75	5	5
○ 704784	GEW2 40x80	40	55	80	100	8	8
● 655475	GEW2 40x135	40	55	135	155	8	8
● 665900-170	GEW2 40x170	40	55	170	190	8	8
● 655530	GEW2 40x240	40	55	240	260	8	8
● 666100-55	GEW2 50x55	50	62	55	75	8	8
● 666030-135	GEW2 50x135	50	62	135	155	8	8
● 666030-170	GEW2 50x170	50	62	170	190	8	8



- From stock
- On request