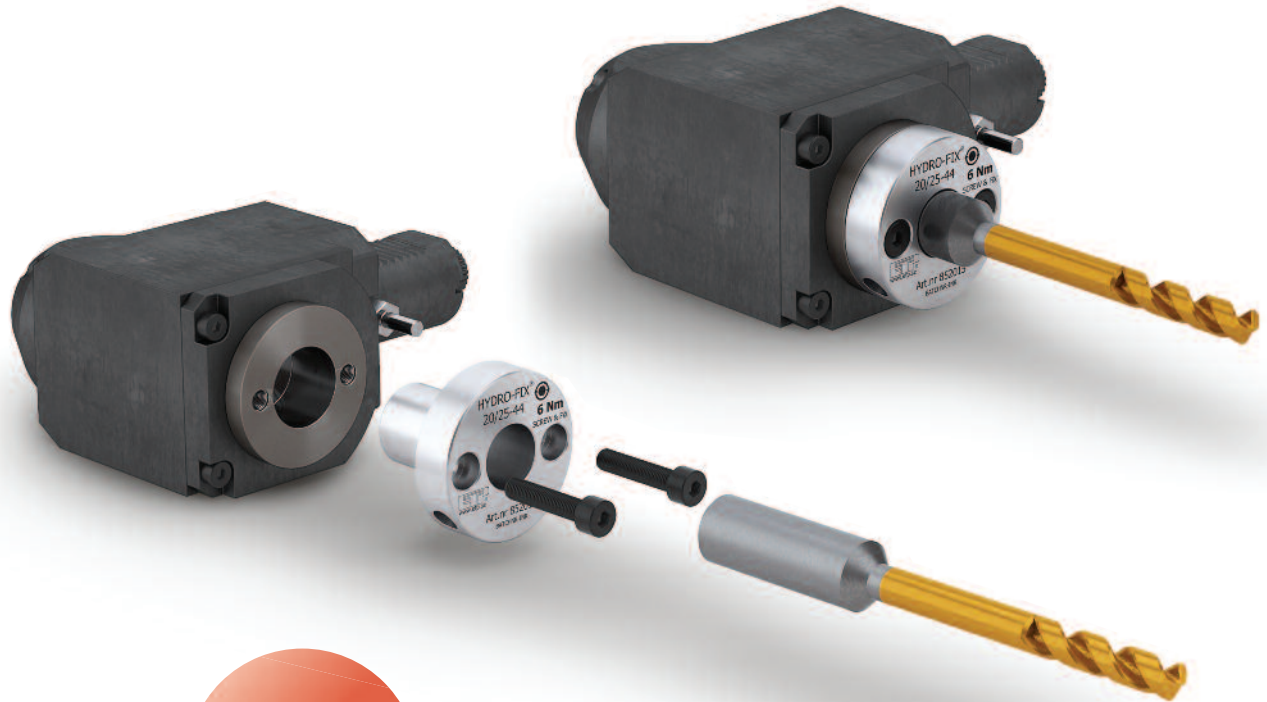




ETP HYDRO-FIX®

Hydraulic high precision clamping sleeve



New
Generation



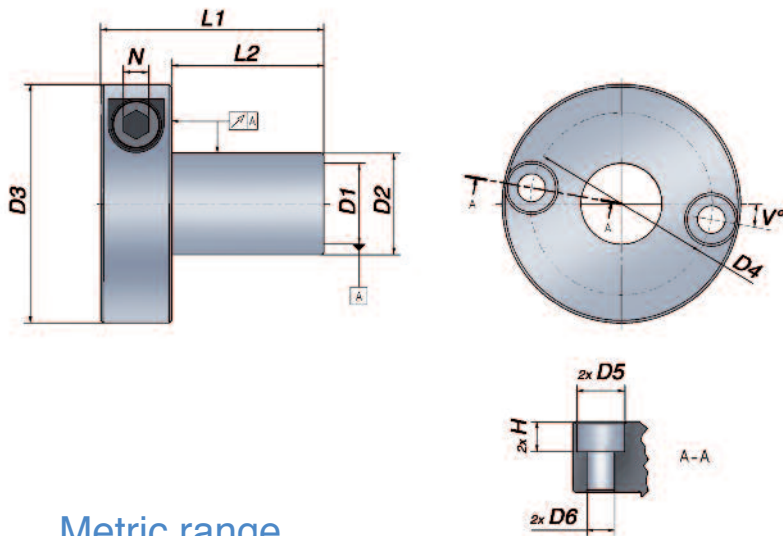
ETP HYDRO-FIX clamping sleeves are excellent for boring bars for internal and external turning as well as in driven toolholders. With the one screw fix system it is quick and easy to handle.

The clamping is uniform around the tool and therefore the tool life is improved. The clamping system absorbs and reduces vibration, improves surface quality and best of all increases your productivity!

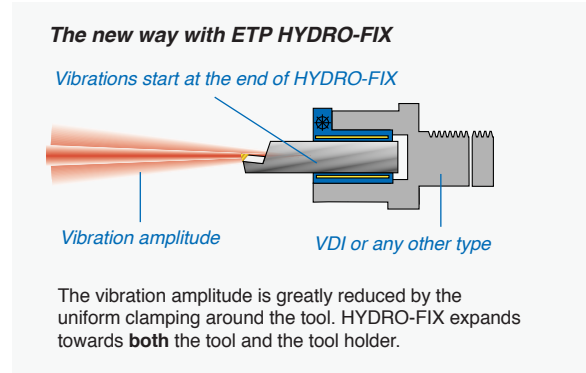
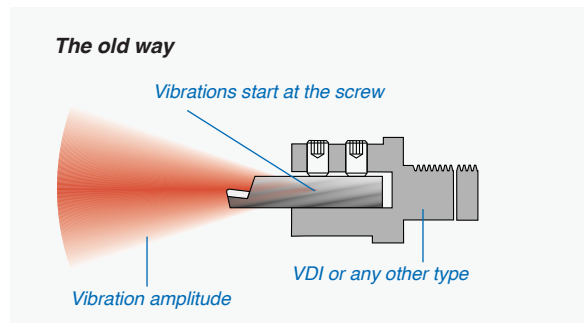
BENEFITS & FEATURES

- Reduced vibrations
- Increased speed and/or feed
- Improved surface quality
- Increased tool life
- Quick and easy handling

ETP HYDRO-FIX®



Metric range



Technical Specification

Part no.	Item description	Dimensions, mm					Recommended screws DIN 915, 12.9					Pressure screw		Runout mm	T* _{min} Nm	Weight kg	G2.5 at rpm
		D1*	D2**	D3	L1	L2	D4	D5	D6	H	V°	N	Tt*** Nm				
● 851215	HYDRO-FIX 12/16-38	12	16	43.5	38	24	28	9.5	5.5	6	5	5	6	0.006			
● 851615	HYDRO-FIX 16/20-44	16	20	47	44	30	36	9.5	5.5	6	10	5	6	0.006			
● 852015	HYDRO-FIX 20/25-44	20	25	52	44	30	36	11	6.5	7		5	6	0.006			
● 852515	HYDRO-FIX 25/32-48	25	32	59	48	34	44	11	6.5	7		5	6	0.010			
● 853215	HYDRO-FIX 32/40-53	32	40	69.5	53	39	52	11	6.5	7		5	6	0.010			
○ 854015	HYDRO-FIX 40/50-75	40	50	86.5	75	55						8	10	0.015			
○ 854215	HYDRO-FIX 42/50-76	42	50	89	76	56						8	10	0.015			
○ 855015	HYDRO-FIX 50/60-80	50	60	98.5	80	60						8	10	0.015			
○ 856015	HYDRO-FIX 60/80-90	60	80	115.5	90	70						8	10	0.015			

Inch range

Technical Specification

Part no.	Item description	Dimensions, inch					Recommended screws DIN 915, 12.9					Pressure screw		Runout inch	T* _{min} ft·lb	Weight kg	G2.5 at rpm
		D*	D1*	D2	L1	L2	D4	D5	D6	H	V°	N	Tt*** Nm				
● 851315	HYDRO-FIX 1/2"/5/8"-38	0.500	0.625	1.713	1.496	0.945	1.102	0.374	0.217	0.236	5	0.197	6	0.00024			
● 851515	HYDRO-FIX 5/8"/3/4"-44	0.625	0.750	1.850	1.732	1.181	1.417	0.374	0.217	0.236	10	0.197	6	0.00024			
● 851915	HYDRO-FIX 3/4"/1"-44	0.750	1.000	2.047	1.732	1.181	1.417	0.433	0.256	0.276		0.197	6	0.00039			
● 852615	HYDRO-FIX 1"/1 1/4"-48	1.000	1.250	2.323	1.890	1.339	1.732	0.433	0.256	0.276		0.197	6	0.00039			
● 853115	HYDRO-FIX 1 1/4"/1 1/2"-53	1.250	1.500	2.736	2.087	1.535	2.047	0.433	0.256	0.276		0.197	6	0.00039			
○ 853815	HYDRO-FIX 1 1/2"/1 3/4"-72	1.500	1.750	3.327	2.835	2.047						0.315	10	0.0059			
○ 855115	HYDRO-FIX 2"/2 1/2"-80	2.000	2.500	3.996	3.150	2.362						0.315	10	0.0059			
○ 856315	HYDRO-FIX 2 1/2"/3"-93	2.500	3.000	4.685	3.661	2.874						0.315	10	0.0059			

***) T_t = Recommended tightening torque for the screw in Nm! Further tightening does not increase the pressure.

- From stock
- On request

Information:

- *) Recommended tool/toolbar tolerance - h7!
- **) Recommended tolerance of toolholder bore - H7!

Accessories:

Use preset Torque Wrench to ensure correct mounting of tools.
6 Nm - Part no. 19050. 10 Nm - Part no. Xxxx

