

ETP HYDRO-GRIP® S Grinding holder



We are happy to introduce our newest addition to the range of high quality hydraulic toolholders – **HYDRO-GRIP Grinding holders.** With the combination of extreme high

precision and easy handling and tool change a massive improvement in productivity can be reached. Quicker set-up times and improved repeat accuracy during sharpening of tools

will save you time and money. The possibility to use reduction sleeves in the hydraulic holder also increases your flexibility.

BENEFITS & FEATURES

- High run-out accuracy $\leq 0,004$ mm.
- Easy handling and tool change.
- High clamping force.
- Vibration dampening.
- Flexibility in clamping range – use of reduction sleeves possible.



EASY MOUNTING WITH
TORQUE WRENCH



VIBRATION
DAMPING



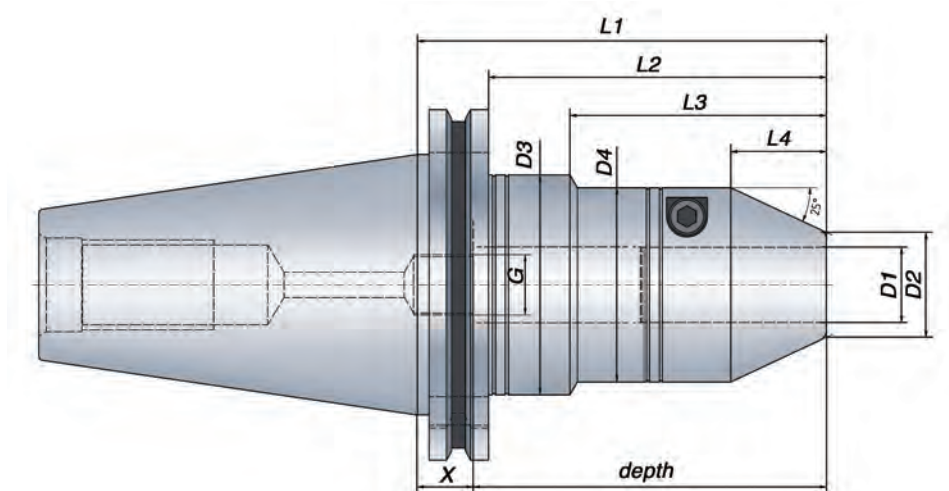
HIGH RUNOUT ACCURACY



FAST SET-UP TIME

ETP HYDRO-GRIP® S

ISO Form AD - 7388-1



Metric range

Technical Specification ISO form AD

Taper	Part no.	Item description	Dimensions, mm												T*	Weight
			D1	D2	D3	D4	L1	L2	L3	L4	depth	G	X	Nm		
●	50	703763	ETP HG S-12x110/ISO50	12	21.5	59	43.5	110	90.9	69	23.6	50	M8x1	60	60-125	3.7
●		704378	ETP HG S-20x110/ISO50	20	28	59	52	110	90.9	69	25.7	95	M16x1	15	260-425	3.8
●		703764	ETP HG S-32x110/ISO50	32	40	69.5		110	90.9		31.6	95	M16x1	15	820-1250	4.3

Inch range

Technical Specification ISO form AD

Taper	Part no.	Item description	Dimensions, inch												T*	Weight
			D1	D2	D3	D4	L1	L2	L3	L4	depth	G	X	ft-lb		
●	50	703763-T	ETP HG S-1/2"x110/ISO50	0.500	0.846	2.323	1.713	4.331	3.579	2.717	0.929	1.969	M8x1	2.362	55-105	3.7
●		704378-T	ETP HG S-3/4"x110/ISO50	0.750	1.102	2.323	2.047	4.331	3.579	2.717	1.012	3.740	M16x1	0.591	192-314	3.8

*) T = Min. and Max. transmittable torque using a h6 cylindrical tool, full depth insert.

● From stock

Information:

- Runout accuracy ≤ 0.004 mm at $2.5 \times D1$ (max. 50 mm)
 ≤ 0.00016 inch at $2.5 \times D1$ (max. 1.969 inch)
- Tool shank h6 or h7 can be used
- Coolant through on all holders
- Bore for data carrier

Accessories:

Use preset Torque Wrench, 6 Nm, to ensure correct mounting of tools. Part no. 19050

ETP HYDRO-GRIP S can be used with reduction sleeves.
For additional information contact ETP.

