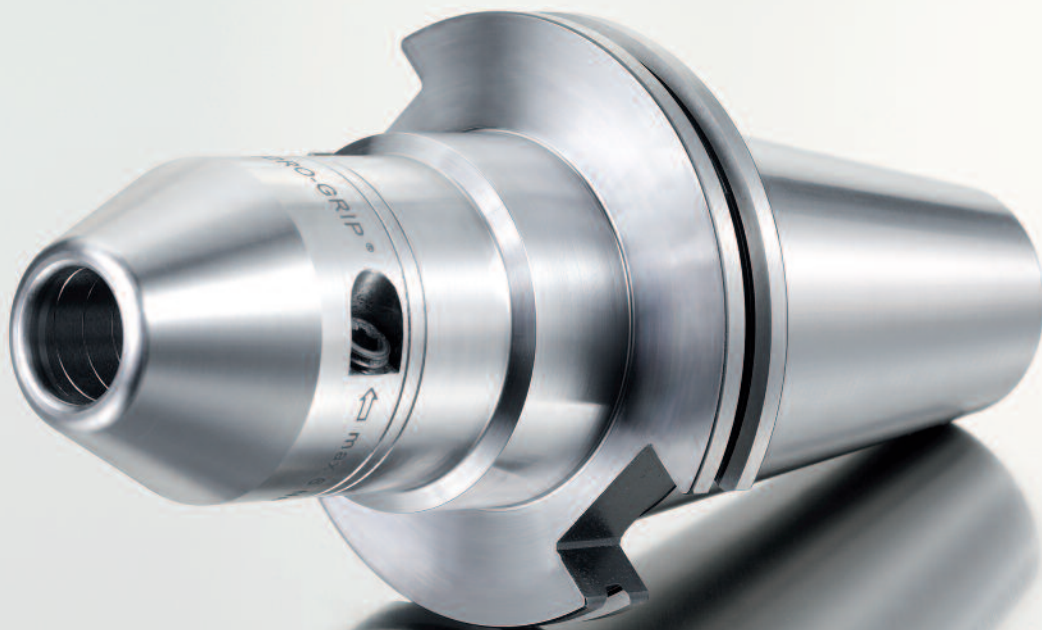


ETP HYDRO-GRIP® Grinding holder



Benefits and features

- High run-out accuracy $\leq 0,004$ mm.
- Easy handling and tool change.
- High clamping force.
- Vibration dampening.
- Flexibility in clamping range
– use of reducing sleeves possible.

Grinding
holder

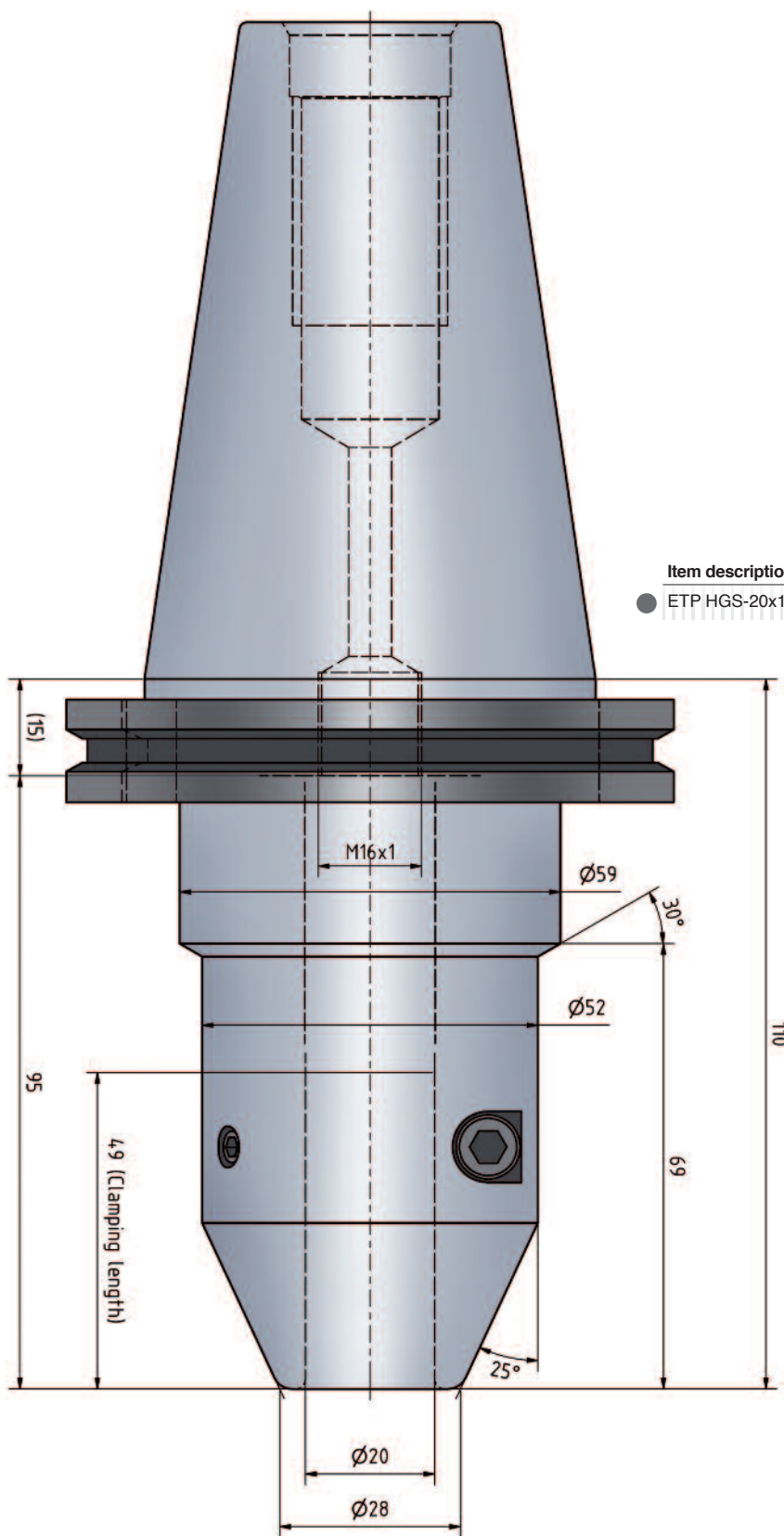
We are happy to introduce our newest addition to the range of high quality hydraulic toolholders – **HYDRO-GRIP Grinding holder**. With the combination of extreme

high precision and easy handling and tool change a massive improvement in productivity can be reached. Quicker set-up times and improved repeat accuracy during

sharpening of tools will save you time and money. The possibility to use reduction sleeves in the hydraulic holder also increases your flexibility.

ETP HYDRO-GRIP® Grinding holder

Technical specification



Item description	Part no.
● ETP HGS-20x110/ISO50	704378

For more information and to receive your quote, contact ETP.

Additional shank types available on request.