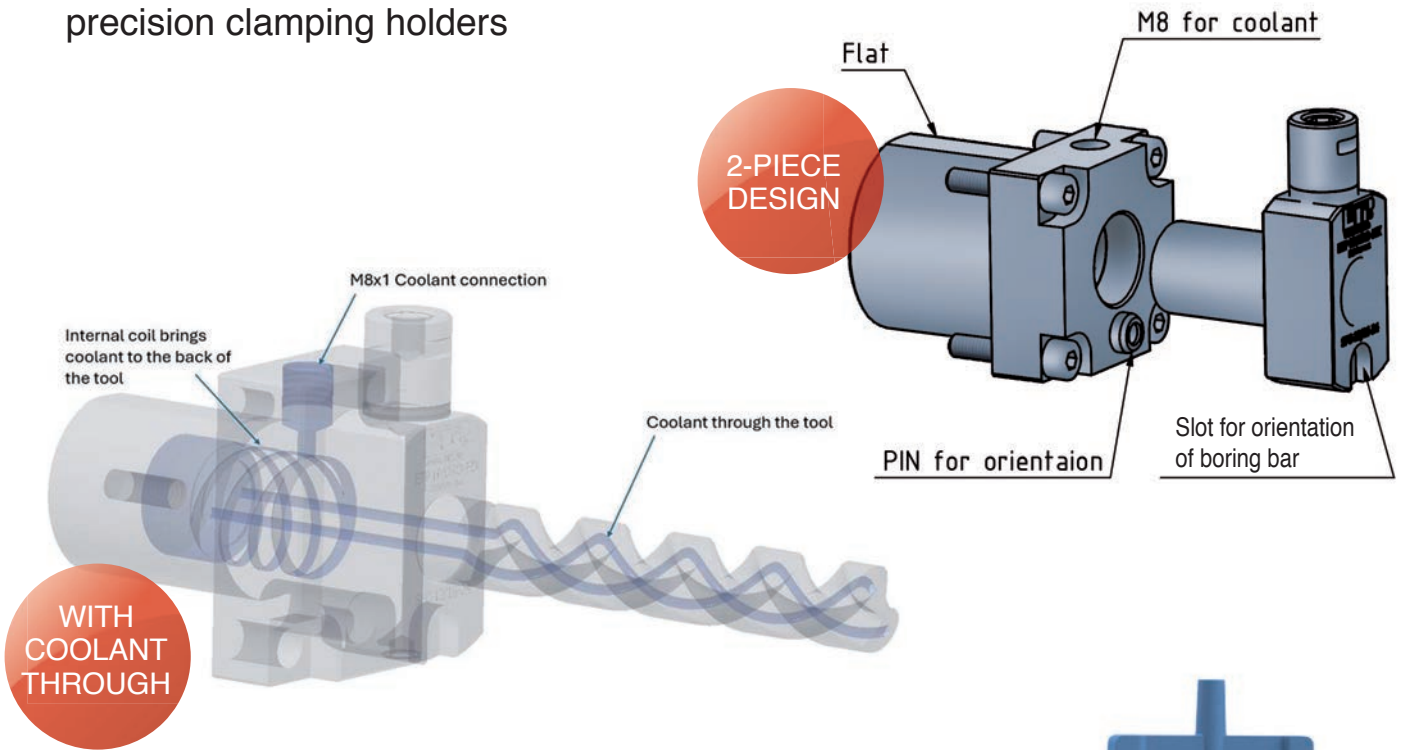


# ETP HYDRO-FIX SBW<sup>®</sup>

Hydraulic **Swiss Back-Working** precision clamping holders



## ETP SWISS backworking application

- 1 . FIND YOUR MACHINE
- 2 . CHOOSE SUITABLE ETP HYDRO-FIX HOLDER
- 3 . CHOOSE YOUR ACCESSORIES

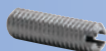
THREE EASY STEPS!



1. MACHINE		2. CHOOSE ETP HYDRO-FIX HOLDER						
Machine Mfg.	Machine type	670010	670020	670030	670040	670050	670060	670070
STAR	SB20	•	•					
	SR20	•	•					
	SR20J	•	•					
	SR32J	•	•					
	SR32JII	•	•					
	SR38	•	•					
	SV-38R			•				
CITIZEN	SX38			•				
	L12				•			
	L20					•		
MAZAK	L32X						•	•
	SYNCREX 20/8			•				
	SYNCREX 25/8			•				
	SYNCREX 38/8			•				

### Additional information:

Tool/toolbar shank h6 or h7 can be used. Adjustment screw included in shipment. Can also be ordered separately as spare part. M5x0.8-16 Part no. S041 or M8x1.25-25 Part no. S057



### Accessories:

Use a preset torque wrench to ensure correct mounting of tools. 6 Nm - Part no. 19055



50mm long bit for wrench Part no. ETP-630



ETP HYDRO-FIX can be used with reduction sleeves.

- R1912.\*\*\*\*
- R1920.\*\*\*\*
- R1925.\*\*\*\*



Extractors available for all sleeves  
E7321.12000 - 12mm  
E7321.20000 - 20mm  
E7321.25000 - 25mm

### Coolant adaptors:

Male M8x1.25 to Male 1/4" JIC Part no. 19152

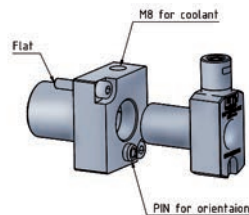
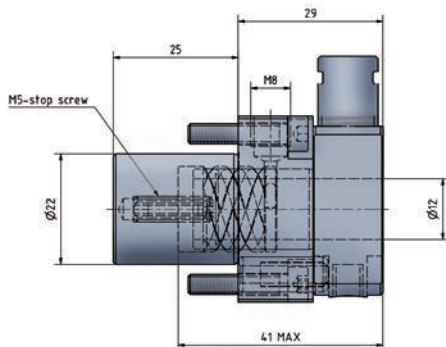
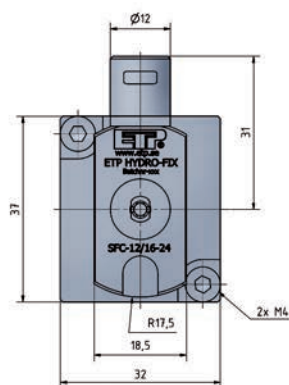


### Orientation kit

For quick and easy tool setting, see page 17-18.



## 670010 - ETP HYDRO-FIX SBW-12/22-25 F1

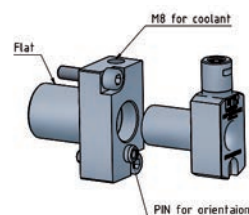
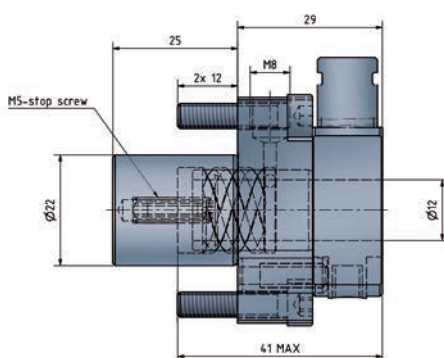
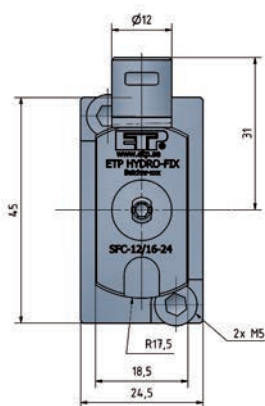


*Machine type*

- SB20
- SR20
- SR20J
- SR32J
- SR32JII
- SR38



## 670020 - ETP HYDRO-FIX SBW-12/22-25 F2

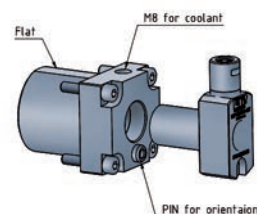
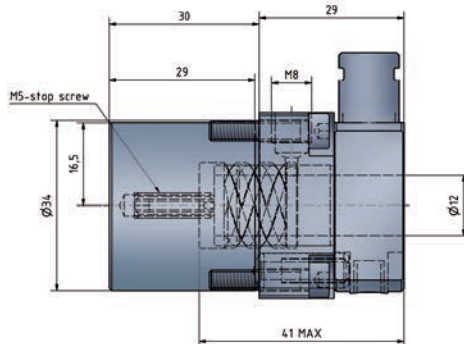
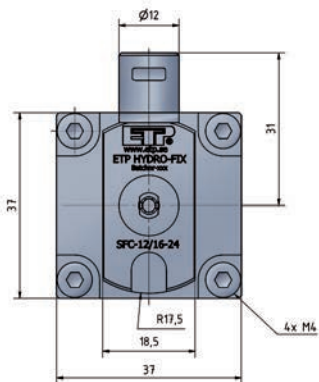


*Machine type*

- SB20
- SR20
- SR20J
- SR32J
- SR32JII
- SR38



## 670030 - ETP HYDRO-FIX SBW-12/34-30 F1



*Machine type*

- SYNCREX 20/8
- SYNCREX 25/8
- SYNCREX 38/8

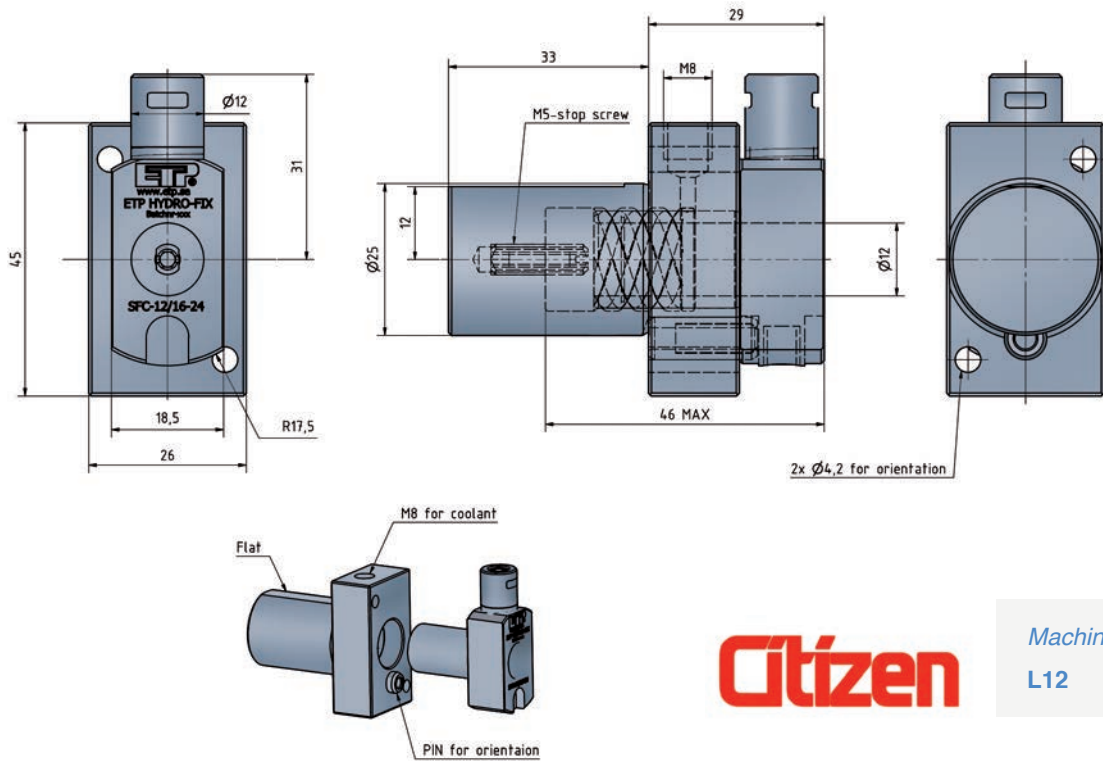


*Machine type*

- SV-38R
- SX38

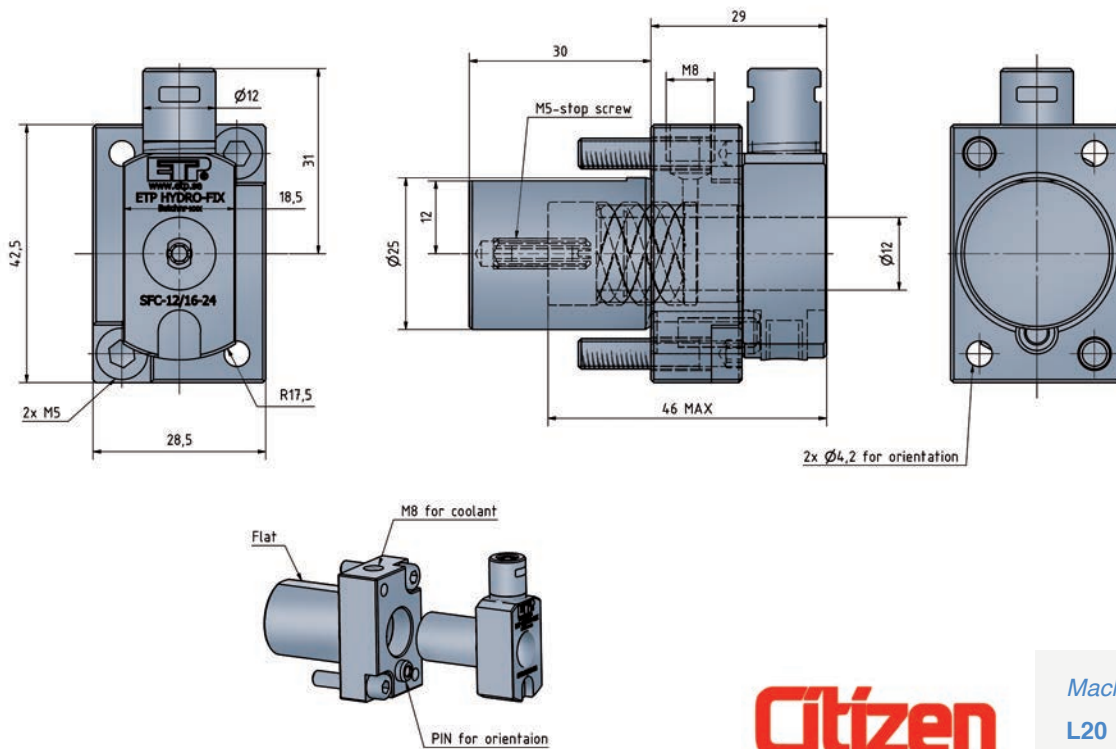


## 670040 - ETP HYDRO-FIX SBW-12/25-33 F1



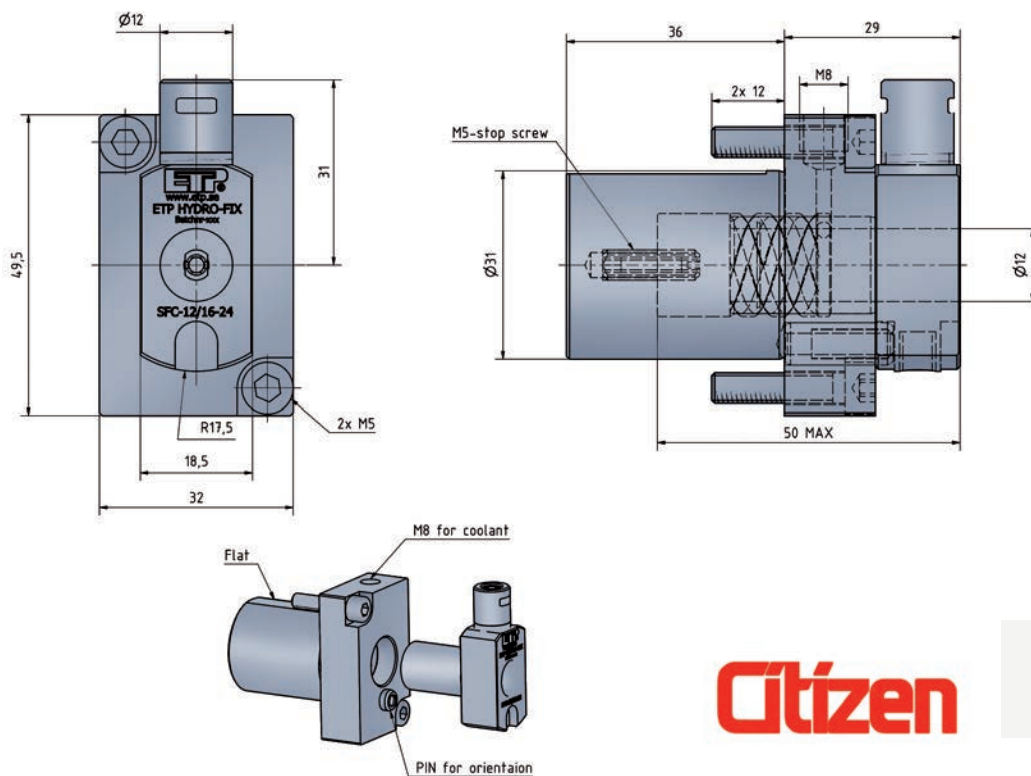
Machine type  
L12

## 670050 - ETP HYDRO-FIX SBW-12/25-30 F1



Machine type  
L20

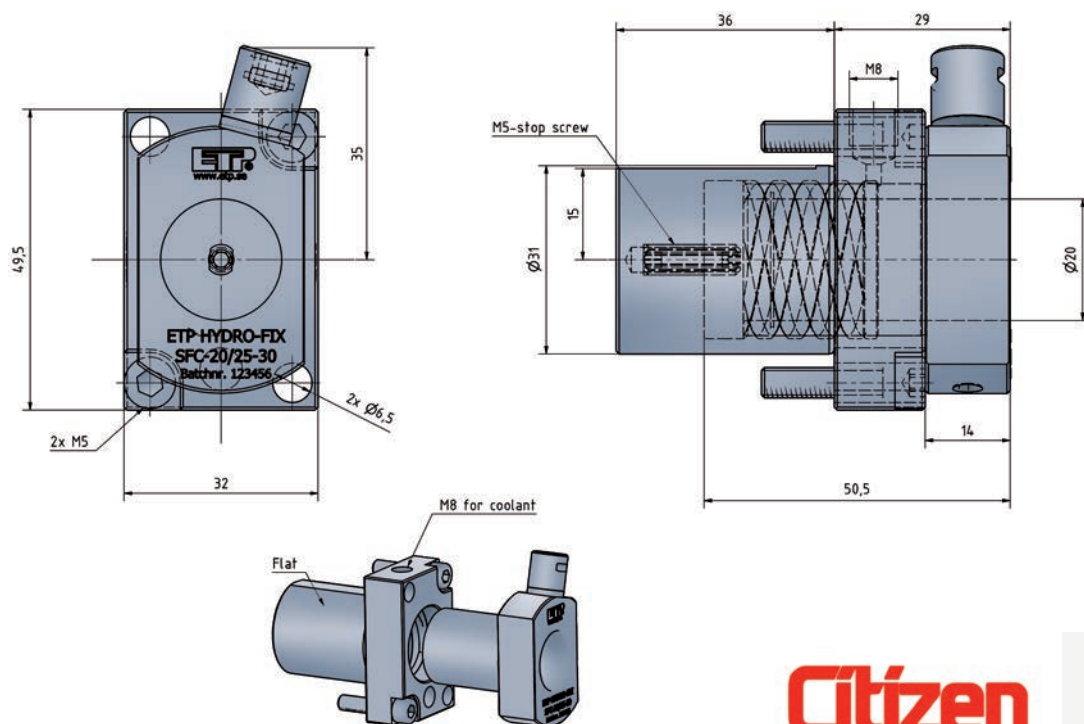
## 670060 - ETP HYDRO-FIX SBW-12/31-36 F1



**Citizen**

Machine type  
L32X

## 670070 - ETP HYDRO-FIX SBW-20/31-36 F1



**Citizen**

Machine type  
L32X

# Accessories ETP HYDRO-FIX Orientation kit

EASY  
TOOL  
SETTING



- BENEFITS & FEATURES**
- Quick and Easy tool setting
  - Less down-time
  - Fits tools from 4 - 12 mm
  - Pre-set your tools outside of machine
  - Can be used for both round bars as well as Easy-Fix bars

## Quick and Easy tool setting with our Orientation kit!

With our new ETP HYDRO-FIX orientation kit you can now enjoy quick and easy tool setups even outside of your machine.

With our external orientation fixture

and the accompanying orientation discs, that come in all sizes ranging from 4 - 12 mm, allow you now to pre-set any tools and keep ready for installment. Both standard round tool

bars as well as Easy-Fix tool bars can be used!

**Start now and reduce your downtime!**

## Accessories ETP HYDRO-FIX Orientation kit



This orientation kit allows you to easily and with precision set your tool bar outside of the machine and transfer the settings to your installed ETP HYDRO-FIX clamping holder.

Part no.	Description
664180	<b>ETP HYDRO-FIX Orientation kit</b>
	Fixture Ø 12 mm. Incl. Stop plug with set screw
	<b>Orientation discs</b>
	Orientation disc Ø 4 mm. Orientation disc Ø 6 mm. Orientation disc Ø 8 mm. Orientation disc Ø 12 mm.
	<b>Reduction sleeves</b>
	HS 12 / 4 mm. HS 12 / 6 mm. HS 12 / 8 mm.
	<b>Wrenches &amp; Accessories</b>
	Torque wrench 0.45 Nm (2.5 mm Hex) Allen key (1.5 mm) Screw M3x8

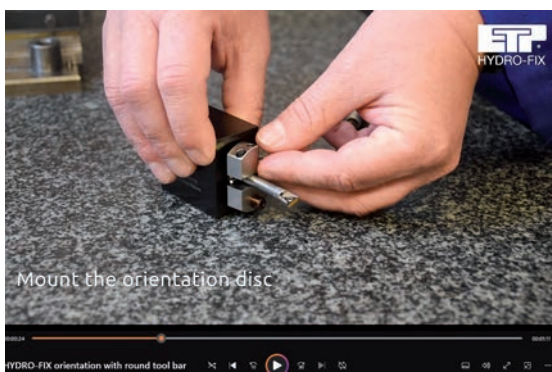


### Accessories/Spare parts

Part no.	Description
664180-4	Orientation disc Ø 4 mm.
664180-5	Orientation disc Ø 5 mm.
664180-6	Orientation disc Ø 6 mm.
664180-7	Orientation disc Ø 7 mm.
664180-8	Orientation disc Ø 8 mm.
664180-10	Orientation disc Ø 10 mm.
664180-12	Orientation disc Ø 12 mm.

### View video instructions

Scan the codes to see the complete procedure on how to use your ETP HYDRO-FIX orientation kit!



### Using round bars



### Using Easy-Fix bars

