

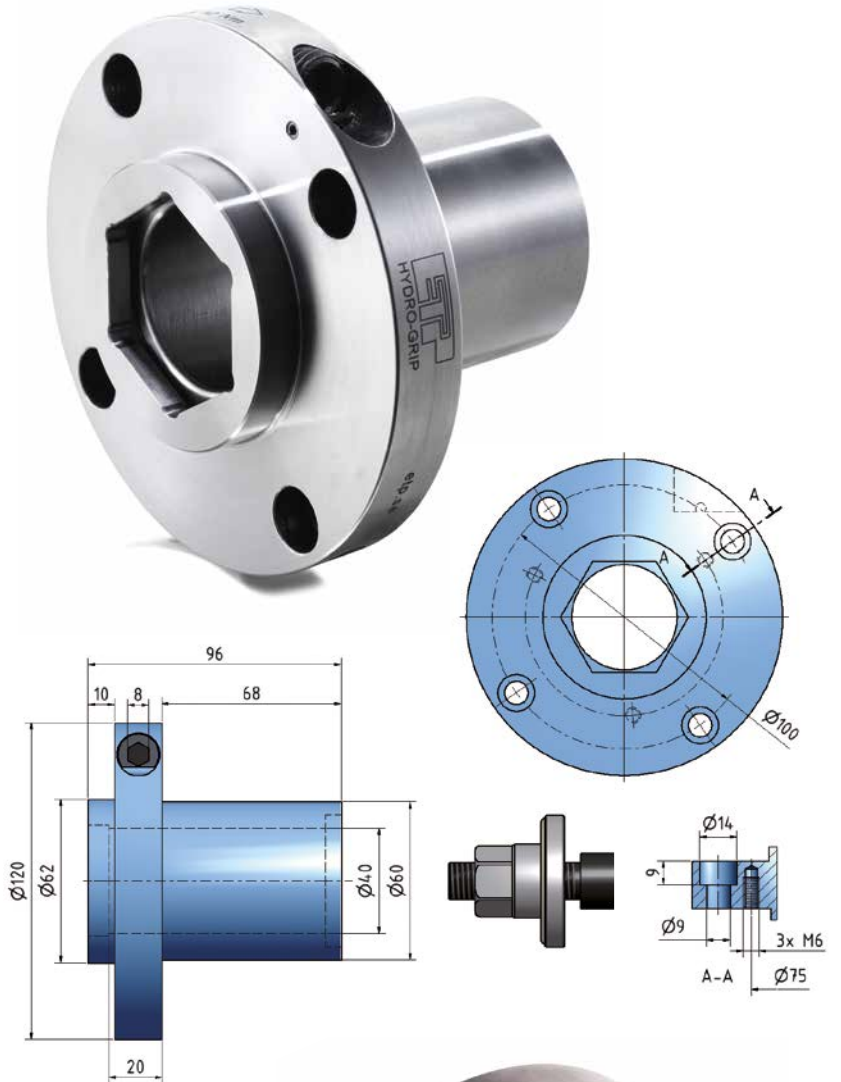


ETP HYDRO-GRIP® EI2-40/60-96

Sleeve for **interchangeable tool assembly** and machines with hexagonal spindle profile. The sleeve is adapted for the newest dust covers on the market. Safety disc is not included. (Part no. 99132)

Benefits and features

- **Advanced hydro function**
 - Expands both against the tool and the machine spindle
- **Probably the most durable pressurizing mechanism on the market**
- **Stop pin at pressurizing screw**
- **Adapted for the new type of dust covers**
- **Can be used for all applications**
 - fixed or adjustable tools

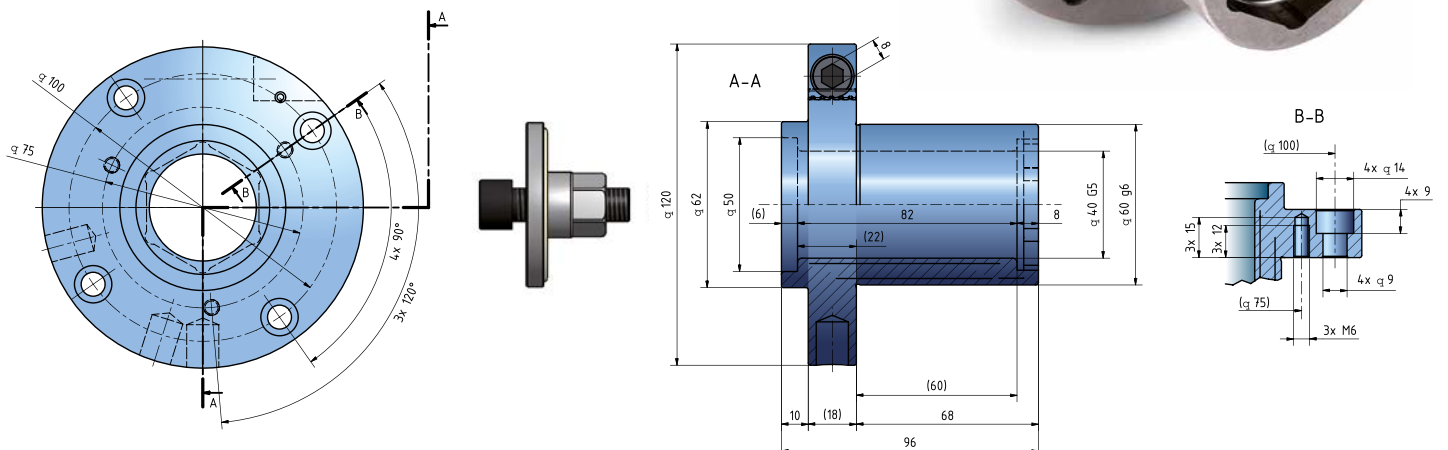


ETP HYDRO-GRIP® EIS2-40/60-96



ETP HYDRO-GRIP® EIS2-40/60-96

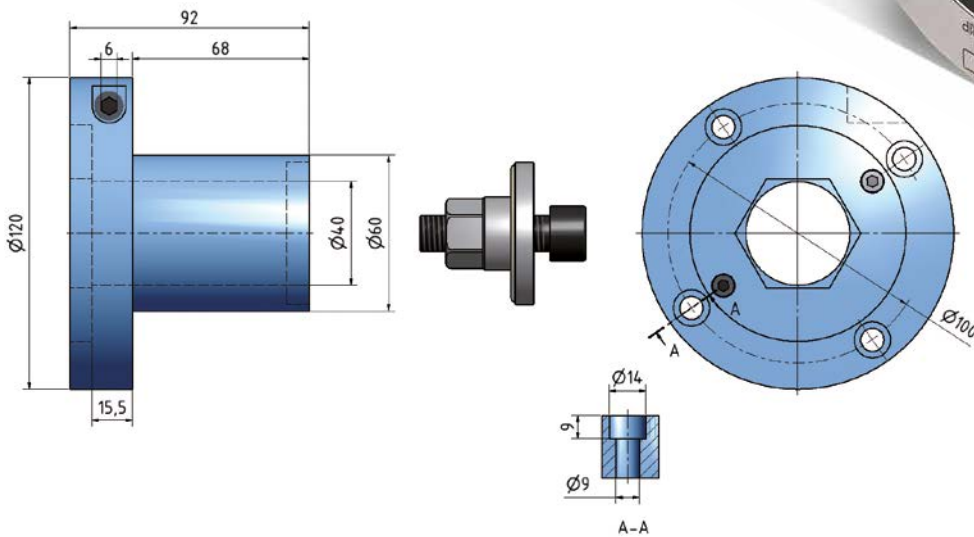
Similar to the EI2 sleeve but with an internal hexagonal profile in its open side. Sleeve for **interchangeable tool assembly** and machines with hexagonal spindle profile. Safety disc is not included. (Part no. 99132)





ETP HYDRO-GRIP® EI-40/60-92

Sleeve for **interchangeable tool assembly** and machines with hexagonal spindle profile. The sleeve is supplied with an internal hexagonal insert in the collar of the sleeve. Safety disc is not included. (Part no. 99100)



ETP HYDRO-GRIP® EIS-40/60-92



ETP HYDRO-GRIP® EIS-40/60-92

Similar to the EI sleeve but with an internal hexagonal profile in its open side. Sleeve for **interchangeable tool assembly** and machines with hexagonal spindle profile. Safety disc is not included. (Part no. 99110)

